

# — APX CATERING VEHICLE —



**LIFT-A-LOFT**

*An Industry Leader for 50 Years*

## APX CATERING VEHICLE

The APX Catering Vehicle was designed for the ever changing needs of the airline industry. This compact, maneuverable unit is perfect for servicing regional jets. It is also flexible enough to reach the door sills of all narrow body jets. The durable design of the APX Catering Vehicle is also a plus for ramp activities.

### DIMENSIONS

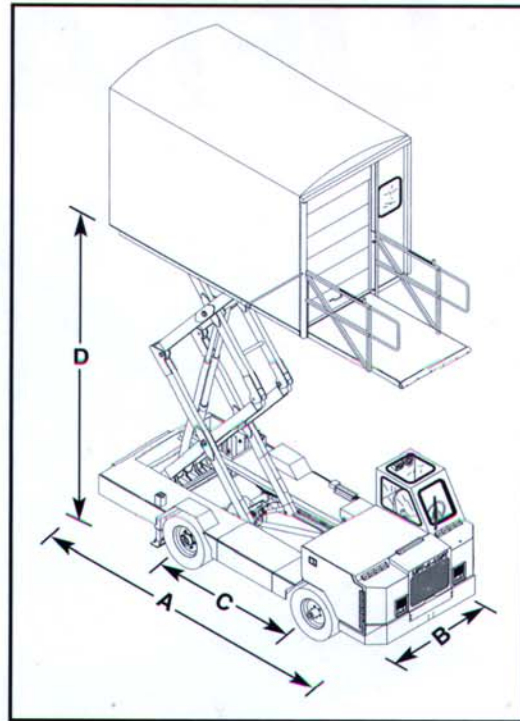
- A. Chassis Length - 18'4 (5.59 m)**
- B. Chassis Width - 6'8" (2.03 m)**
- C. Wheel Base - 94" (2.38 m)**
- D. Maximum Platform Height - 16' (4.88 m)**
- **Minimum Platform Height - 36" (.91 m)**
- **Travel Height - 10'6" (3.2 m)**
- **Capacity - 2,000lbs. (907.2 kg)**

### APX CATERING VEHICLE FEATURES

- Rear Door** - 70" wide x 76" high (1.78m x 1.93m)
- Front Door** - 48" wide x 80" high (1.22m x 2.03m)
- Roof** - Full length translucent material for increased lighting
- Cargo Control** - "E" track provided on both sides of the cabin.
- Aircraft walk-way** - Non Slip surface with Adjustable rails and Aircraft Bumper
- Upper Control Station**- Protected inside the cabin with window for operator visibility.
- Cabin Construction**- Seamless fiberglass with reinforced corners and supports.
- Hydraulic System** - Driven by gear pump
- Drive Speed** - 30 mph (43 kph) maximum
- Turning Radius** - 16' (4.8 m) outside

### AVAILABLE OPTIONS

- Keyed Ignition
- Back-up Alarm
- Flashing Light
- Electric Power
- Sun Visor
- Custom Shelving
- Tow Hitch
- Cab Fan



- Suspension** - Solid live axles with progressive springs and heavy-duty shock absorbers on front and rear
- Brakes** - Four wheel hydraulic disc brakes with vacuum assist. Parking brake is mechanical disc with an Orscheln lever
- Visibility** - Unequaled upward visibility increases safety when approaching aircraft. Windshield is non-glare
- GVW Rating** - 14,500 lbs (6,577 kg)
- Gradeability** - 15%
- Frame** - High Strength C12 and C6 structural steel channel
- Engine** - Deutz 1011 Turbo Diesel
- Transmission** - Ford C-6
- Component Accessibility** - Modular design of engine and transmission assembly allows for quick and simple removal and replacement. The APX also features a fold-down dash and compartments for the battery, fuse box, hydraulic tank and master cylinder.
- Doors** - Heavy-duty, steel hinged doors with wind protection and replaceable windows.
- Gauges** - Oil pressure, water temperature, fuel level, voltage and hour meter gauges located on dash control panel. All gauges are water-proof and anti-fog.
- Wiring** - Wiring number coded throughout the vehicle and Skydrol resistant when susceptible.
- Paint** - Highly resistant to harsh chemicals including Skydrol. Once color per customer specification.
- Fuel Tank** - 25 Gallon (94.6L) capacity
- Controls** - Standard automotive type brake and accelerator pedal, hydraulic power steering, Morse 3 position shift controller for reverse; neutral; forward; and a keyless ignition with anti-restart
- Heater** - A 10,000 BTU heavy-duty heating and defrosting system is used

# LIFT-A-LOFT

GSE Division