

LIFT-A-LOFT[®]



TMX MAINTENANCE LIFT

The TMX Series provides working heights of up to 38' (11.58m) with platform capacities of up to 4,000lbs. (1,814kg). The telescopic scissors assembly minimizes wheelbase requirements; this provides maximum maneuverability without compromising platform height.

DIMENSIONS

	TMX32-15	TMX32-20
A OVERALL LENGTH	291" * (7.39m)	349" * (8.86m)
B OVERALL WIDTH	100" * (2.54m)	100" * (2.54m)
C WHEELBASE	170" * (4.32m)	218" * (5.54m)
D MAX. PLATFORM HT.	32' * (9.75m)	32' * (9.75m)
◆ MIN. PLATFORM HT.	6'1" * (1.85m)	6'1" * (1.85m)
◆ TRAVEL HEIGHT	9'4" * (2.84m)	9'4" * (2.84m)
◆ GUARD RAIL HEIGHT	39" (.99m)	39" (.99m)
◆ PLATFORM SIZE	84" x 180" (2.13m x 4.57m)	84" x 240" (2.13m x 6.10m)
◆ TRAVERSING PLATFORM REACH	8' (2.44m)	10' (3.05)
◆ TURNING RADIUS	23'9" * (7.24m)	29'7" * (9.01m)
◆ TOTAL PLATFORM CAPACITY	4,000 lbs. ** (1,814 kg)	4,000 lbs. ** (1,814 kg)
◆ TOTAL WEIGHT	26,460 lbs. * (12,002 kg)	29,780 lbs.* (15,508 kg)

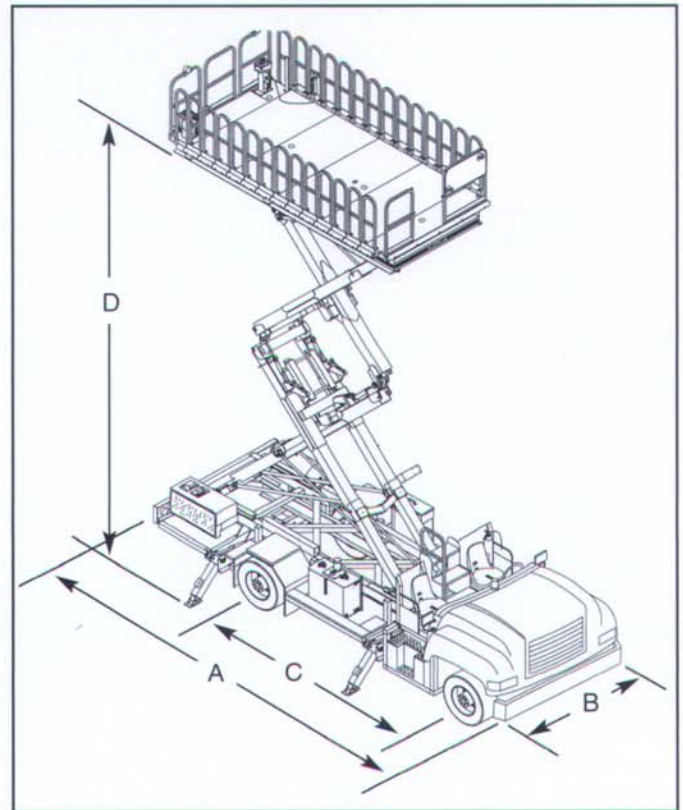
* May vary depending on chassis

** May vary depending upon options

AVAILABLE OPTIONS

- 2' (.61) Side Deck Slider Panels*
- Cold Weather Package
- Platform Mounted Flood Lights
- Hydraulically Driven Air Compressor
- 12VDC to 110VAC Power Inverter
- Overload Warning Device
- Rotating Warning Light
- Back up Alarm
- Wind Shield Exchange Module*
- Different Chassis Available

* Some options may reduce capacity of platform



TMX FEATURES

Telescopic Scissors Design – Provides increased stability at full elevation.

Skydrol Resistant Paint – Protects the lift from harsh chemical spills.

3" Tubular Aircraft Bumpers – Adds protection when working in close proximity to aircraft.

Platform Controls – Include pedestal with stabilizer raise/lower and ignition with anti re-start. A pendant controller includes platform traverse and raise lower controls.

Emergency Back up Controls at Base – Allows the platform to be retracted and lowered or the stabilizers raised in the event of an engine failure.

Non-Slip Platform Surface – Provides good traction for worker safety.

Engine Driven Hydraulic Power Supply – Provides necessary power to operate all functions.

Hydraulic Stabilizers – Increases stability of the entire unit.

Lanyard Attachment Points – Available on platform for attaching fall protection.

Traversing Platform – Provides excellent reach and precise alignment at elevation.

LIFT-A-LOFT

GSE Division