

NLI

LIFT-A-LOFT



LIFT-A-LOFT

An Industry Leader for 50 Years

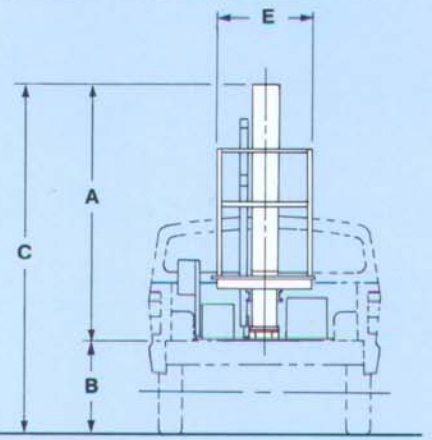
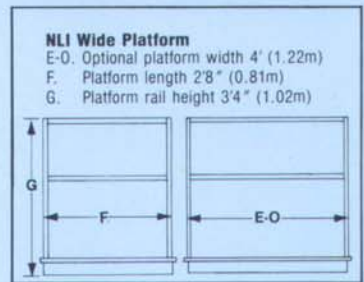
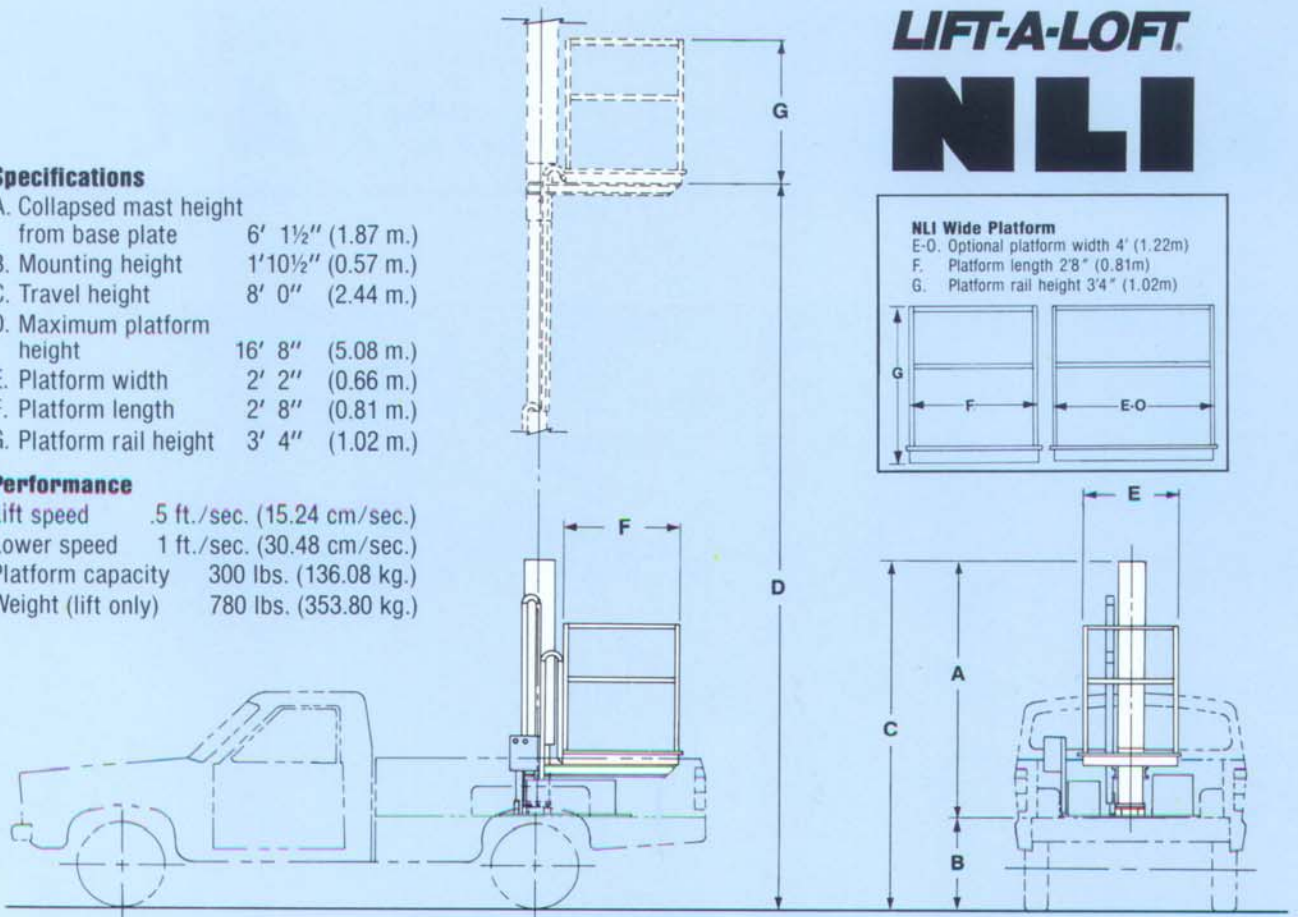
LIFT-A-LOFT. NLI

Specifications

A. Collapsed mast height from base plate	6' 1½" (1.87 m.)
B. Mounting height	1'10½" (0.57 m.)
C. Travel height	8' 0" (2.44 m.)
D. Maximum platform height	16' 8" (5.08 m.)
E. Platform width	2' 2" (0.66 m.)
F. Platform length	2' 8" (0.81 m.)
G. Platform rail height	3' 4" (1.02 m.)

Performance

Lift speed	.5 ft./sec. (15.24 cm/sec.)
Lower speed	1 ft./sec. (30.48 cm/sec.)
Platform capacity	300 lbs. (136.08 kg.)
Weight (lift only)	780 lbs. (353.80 kg.)



Mast Telescoping 3-section mast, hydraulically actuated chain-and-roller system. Mounted holding valve at base of cylinder provides load-holding capability and helps provide smooth operation.

Controls Dual electric controls located on chassis and in platform with ground controls overriding controls in platform.

Voltage 12v, self-contained unit.

Batteries Two 6v deep-cycle batteries, which are rechargeable from truck's electrical system, are recommended to provide power for lift operations.

Note: All dimensions calculated on ground-to-baseplate mounting height of 22.5 in. (0.57 m.).

All specifications subject to change without notice.

Features and benefits

1. A vertical lift platform, protected from traffic distractions, is operated by one man on the job site.
2. Fully self-contained unit requires no external pump mount or PTO.
3. Lift designed for easy mount on fuel efficient vehicle.
4. No outriggers required for improved efficiency.
5. Manual lowering valve permits lowering of unit in the event of electric failure.



Lift-A-Loft products Are Sold and Serviced By:



LIFT-A-LOFT CORPORATION

9501 South Center Road, Muncie, IN 47302-9443, USA P. O. Box 2645, Muncie, IN 47307-0645, USA Phone: 765-288-3691 • Fax: 765-284-1023